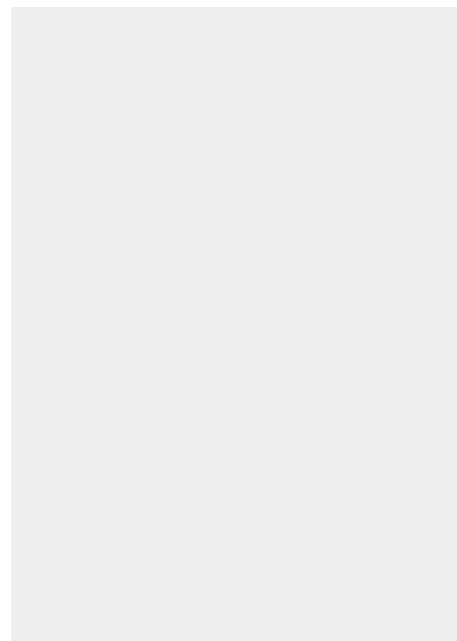
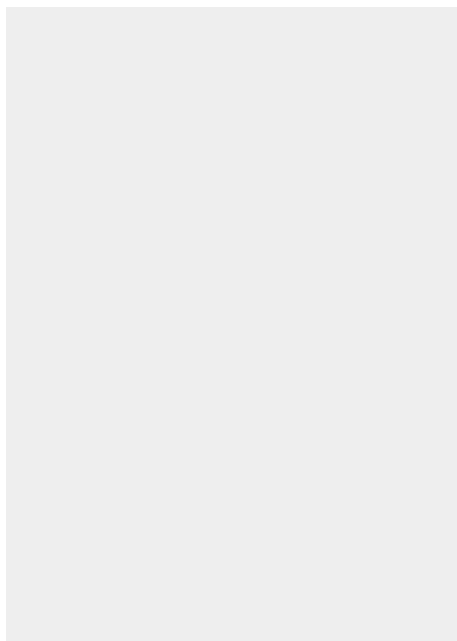


Fiche article : Hollow punch 1 1/8" or 28.6 mm - Référence :

JLB1 1/8#

HOLLOW PUNCH 1 1/8" OR 28.6 MM



8,61 € excl. tax
10,33 € incl. tax



Made in France

SKU: JLB1 1/8# | **Categories:** [7/8" to 1 3/16" hollow punches](#) |

DESCRIPTION DU PRODUIT

Made of high resistance steel, Boehm's JLB model hollow punches ensure a precise cut-out of pallets, washers or gaskets in soft materials: paper tape, foam, cardboard, leather, felt, cork, rubber, plastic, fabric, ...etc.

Compatibility

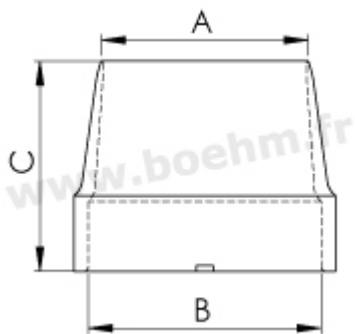
This hollow punch can be locked thanks to a spur system on the following chucks and handles : JLBM30, JLBM30PA, JLBM50, JLBM50PA, JLBM60, JLBM60PA and JLBM100

[See all our striking tools](#)

Fiche article : Hollow punch 1 1/8" or 28.6 mm - Référence :

JLB1 1/8#

Other features:



A:1 1/8" or 28.6 mm B:31 mm

C:32 mm

Fastening method: by locking onto chuck or handle (JLB model)

Twinning possibilities: [see the twinning table](#)

For more information on how to use these tools, please consult our [our tutorials](#)



Made in France

Fiche article : Hollow punch 1 1/8" or 28.6 mm - Référence :
JLB1 1/8#

INFORMATIONS COMPLÉMENTAIRES

Weight 0,04 kg

Diameter in mm [28.50 mm](#)

Fiche article : Hollow punch 1 1/8" or 28.6 mm - Référence :
JLB1 1/8#