

Fiche article : Punch diameter 18.7 mm (non-standard size) -

Référence : JLB18.7

### PUNCH DIAMETER 18.7 MM (NON-STANDARD SIZE)



**34,55 € excl. tax**  
**41,46 € incl. tax**

SKU: JLB18.7 | Categories: [Hollow punches Ø11 to 20](#) |

#### DESCRIPTION DU PRODUIT

Made from high-strength steel, Boehm's JLB model hollow punch allow precise cutting of pastilles, washers or gaskets in soft materials such as gasket paper, foam, cardboard, leather, felt, cork, rubber, plastic, fabric, etc.

#### Compatibility

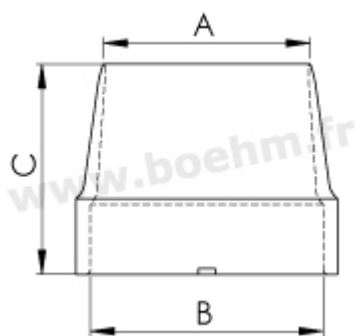
This hollow punch can be attached to the following chucks, handles and handles by means of a pin system:

- [JLBM20](#)
- [JLBM30](#)
- [JLBM30PA](#)
- [JLBM50](#)
- [JLBM50PA](#)
- [JLBM60](#)
- [JLBM60PA](#)
- [JLBM100](#)

#### Other features:

Fiche article : Punch diameter 18.7 mm (non-standard size) -

Référence : JLB18.7



A:18.7 mm B:21 mm C:27 mm

**Fastening method:** by locking onto chuck, handle or JLB model handle

**Twinning possibilities:** [see matching chart](#)

For more information on how to use these tools, please consult our [our tutorials](#)



**Made in France**

Fiche article : Punch diameter 18.7 mm (non-standard size) -  
Référence : JLB18.7

Fiche article : Punch diameter 18.7 mm (non-standard size) -  
Référence : JLB18.7