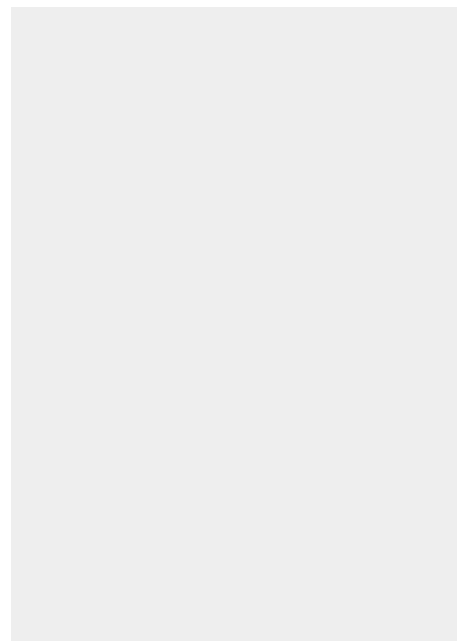


Fiche article : Hollow punch 2 5/16" or 58.7 mm - Référence :

JLB2-5/16#

HOLLOW PUNCH 2 5/16" OR 58.7 MM



32,93 € excl. tax
39,52 € incl. tax



Made in France

SKU: JLB2-5/16# | **Categories:** [2 1/8" to 2 3/8" hollow punches](#) |

DESCRIPTION DU PRODUIT

Made of high resistance steel, Boehm's JLB model hollow punches ensure a precise cut-out of pallets, washers or gaskets in soft materials: paper tape, foam, cardboard, leather, felt, cork, rubber, plastic, fabric, ...etc.

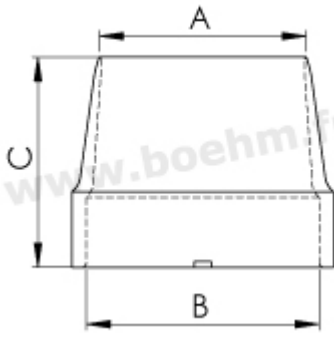
Compatibility

This hollow punch can be locked thanks to a spur system on the following chucks and handles: JLBM60, JLBM60PA and JLBM100.

[See all our striking tools](#)

Other features:

Fiche article : Hollow punch 2 5/16" or 58.7 mm - Référence :
JLB2-5/16#



A: 2 5/16" or 58.7 mm B: 62.5 mm C: 47 mm

Fastening method: by locking onto chuck or handle (JLB model)

Twinning possibilities: [see the twinning table](#)

For more information on how to use these tools, please consult our [our tutorials](#)



Made in France

Fiche article : Hollow punch 2 5/16" or 58.7 mm - Référence :
JLB2-5/16#

INFORMATIONS COMPLÉMENTAIRES

Weight 0,15 kg

Diameter in mm [58.60 mm](#)

Fiche article : Hollow punch 2 5/16" or 58.7 mm - Référence :
JLB2-5/16#