

PUNCH DIAMETER 23.5 MM

43,05 € excl. tax
51,66 € incl. tax



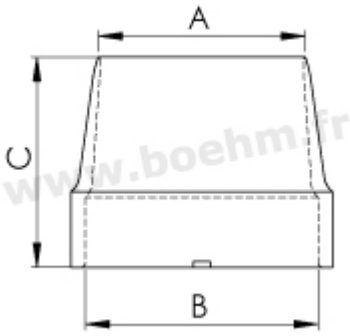
Made in France

SKU: JLB23.5 | **Categories:** [Special hollow punches](#) |

DESCRIPTION DU PRODUIT

Made from high-strength steel, Boehm's JLB model hollow punches enable precise cutting of pastilles, washers or gaskets from soft materials: gasket paper, foam, cardboard, leather, felt, cork, rubber, plastic, fabric, etc. **Compatibility** This die attaches to the following chucks, handles and handles by means of a pin system:

- [JLBM30](#)
- [JLBM30PA](#)
- [JLBM50](#)
- [JLBM50PA](#)
- [JLBM60](#)
- [JLBM60PA](#)
- [JLBM100](#)

Other features:

A:23.5 mm B:31 mm C:32

mmFastening method: by locking on chuck, handle or JLB model handle **Twinning options:** [see pairing table](#) For information on how to use our tools, please consult [our tutorials](#)



Made in France

INFORMATIONS COMPLÉMENTAIRES

Weight 0,04 kg

Diameter in mm [23.00 mm](#)

