

Fiche article : Hollow punch 29.5 mm (Copie) - Référence :  
JLB24.6

### HOLLOW PUNCH 29.5 MM (COPIE)



**44,35 € excl. tax**  
**53,22 € incl. tax**



**Made in France**

**SKU:** JLB24.6 | **Categories:** [Hollow punches Ø21 to 30](#) |

#### DESCRIPTION DU PRODUIT

Made of high resistance steel, Boehm's JLB model hollow punches ensure a precise cut-out of pallets, washers or gaskets in soft materials: paper tape, foam, cardboard, leather, felt, cork, rubber, plastic, fabric, ...etc.

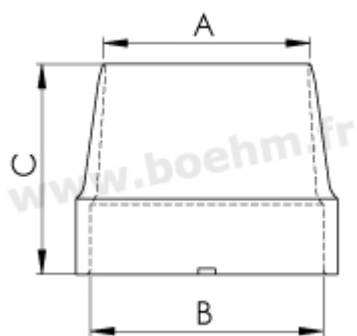
#### Compatibility

This hollow punch can be locked thanks to a spur system on the following chucks and handles :  
JLBM30, JLBM30PA, JLBM50, JLBM50PA, JLBM60, JLBM60PA and JLBM100

[See all our striking tools](#)

**Other features:**

Fiche article : Hollow punch 29.5 mm (Copie) - Référence :  
JLB24.6



A:29.5 mm B:31 mm C:32  
mm

**Fastening method:** by locking onto chuck or handle (JLB model)

**Twinning possibilities:** [see the twinning table](#)

For more information on how to use these tools, please consult our [our tutorials](#)



**Made in France**

**INFORMATIONS COMPLÉMENTAIRES**

**Weight** 0,04 kg

**Diameter in mm** [29.00 mm](#)

Fiche article : Hollow punch 29.5 mm (Copie) - Référence :  
JLB24.6