

Fiche article : Hollow punch 49 mm (Copie) - Référence :  
JLB45.4

### HOLLOW PUNCH 49 MM (COPIE)



**83,15 € excl. tax**  
**99,78 € incl. tax**



**Made in France**

**SKU:** JLB45.4 | **Categories:** [Hollow punches Ø41 to 50](#) |

#### DESCRIPTION DU PRODUIT

Made of high resistance steel, Boehm's JLB model hollow punches ensure a precise cut-out of pallets, washers or gaskets in soft materials: paper tape, foam, cardboard, leather, felt, cork, rubber, plastic, fabric, ...etc.

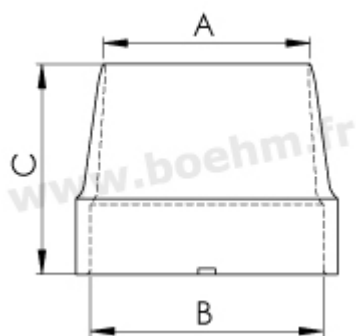
#### Compatibility

This hollow punch can be locked thanks to a spur system on the following chucks and handles :  
JLBM50, JLBM50PA, JLBM60, JLBM60PA and JLBM100

[See all our striking tools](#)

**Other features:**

Fiche article : Hollow punch 49 mm (Copie) - Référence :  
JLB45.4



A:49 mm B:52 mm C:42 mm

**Fastening method:** by locking onto chuck or handle (JLB model)

**Twinning possibilities:** [see the twinning table](#)

For more information on how to use these tools, please consult our [our tutorials](#)



**Made in France**

### INFORMATIONS COMPLÉMENTAIRES

<b>Weight</b>	0,1 kg
<b>Diameter in mm</b>	<a href="#">49.00 mm</a>

