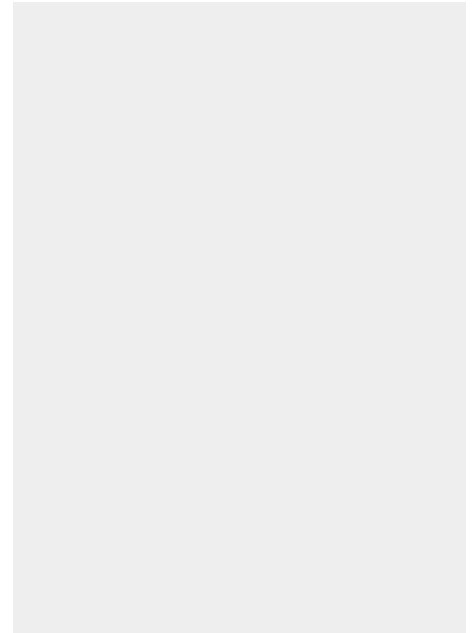
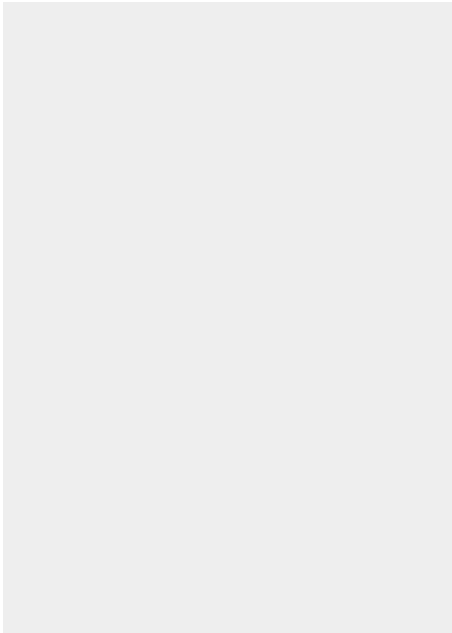


**HOLLOW PUNCH 10MM**

**5,69 € excl. tax**  
**6,83 € incl. tax**



**Made in France**

**SKU:** JLB10 | **Categories:** [Hollow punches Ø2 to 10](#) |

**DESCRIPTION DU PRODUIT**

Made of high resistance steel, the JLB model hollow punches ensure a precise cut-out of pallets and washers in soft materials : paper tape, foam, cardboard, leather, felt, cork, rubber, plastic, fabric...etc.

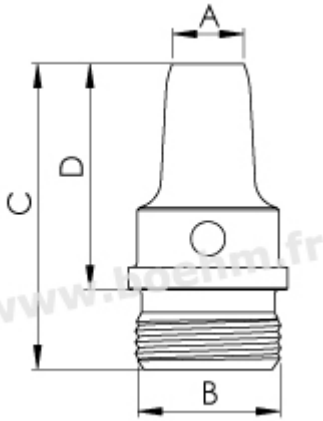
**Compatibility**

This hollow punch is screwed on following handles or chucks: JLBM10, JLBM20, JLBM30PA, JLBM50PA, JLBM60PA and JLBM100.

[See all our striking tools](#)

Fiche article : Hollow punch 10mm - Référence : JLB10

### Other features:



A=10 - B=M13 x 1 - C=27 - D=20

**Fastening method:** by screwing onto chuck, handle, or JLB model handle

**Twinning possibilities :** [see the twinning table](#)

For information on how to use these tools, please consult our [tutorials](#).



**Made in France**

## INFORMATIONS COMPLÉMENTAIRES

**Weight** 0,01 kg

**Diameter in mm** [10.00 mm](#)



