

HOLLOW PUNCH 11.8 MM

33,52 € excl. tax
40,22 € incl. tax

SKU: JLB11.8 | **Categories:** [Hollow punches Ø11 to 20](#) |

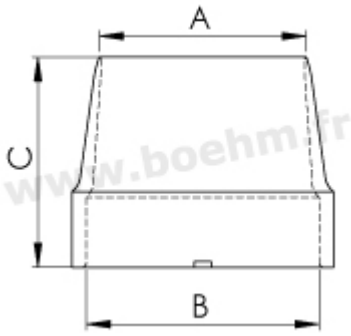
DESCRIPTION DU PRODUIT

Made of high resistance steel, Boehm's JLB model hollow punches ensure a precise cut-out of pallets, washers or gaskets in soft materials: paper tape, foam, cardboard, leather, felt, cork, rubber, plastic, fabric, ...etc.

Compatibility

This hollow punch can be locked thanks to a spur system on the following chucks and handles :

- [JLB20](#)
- [JLB30](#)
- [JLB30PA](#)
- [JLB50](#)
- [JLB50PA](#)
- [JLB60](#)
- [JLB60PA](#)
- [JLB100](#)

Other features:

A:11.8 mm B:21 mm C:27 mm

Fastening method: by locking onto chuck or handle (JLB model)

Twinning possibilities: [see the twinning table](#)

For more information on how to use these tools, please consult our [our tutorials](#)



Made in France

