

HOLLOW PUNCH 13.5 MM

34,55 € excl. tax
41,46 € incl. tax



Made in France

SKU: JLB13.5 | **Categories:** [Hollow punches Ø11 to 20](#) |

DESCRIPTION DU PRODUIT

Made of high resistance steel, Boehm's JLB model hollow punches ensure a precise cut-out of pallets, washers or gaskets in soft materials: paper tape, foam, cardboard, leather, felt, cork, rubber, plastic, fabric, ...etc.

Compatibility

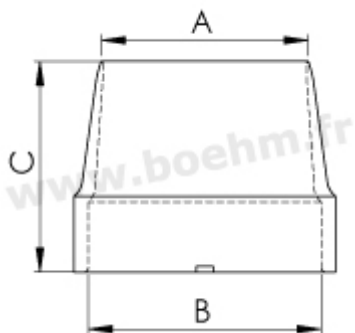
This hollow punch can be locked thanks to a spur system on the following chucks and handles :

- [JLBM20](#)
- [JLBM30](#)
- [JLBM30PA](#)
- [JLBM50](#)

Fiche article : Hollow punch 13.5 mm - Référence : JLB13.5

- [JLBM50PA](#)
- [JLBM60](#)
- [JLBM60PA](#)
- [JLBM100](#)

Other features:



A:13.5 mm B:21 mm C:27 mm

Fastening method: by locking onto chuck or handle (JLB model)

Twinning possibilities: [see the twinning table](#)

For more information on how to use these tools, please consult our [our tutorials](#)



Made in France

