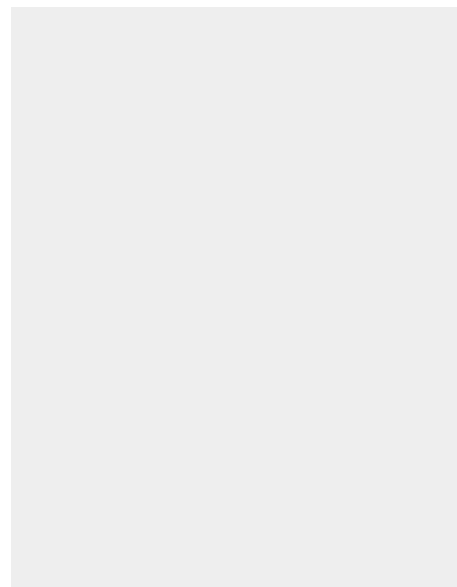
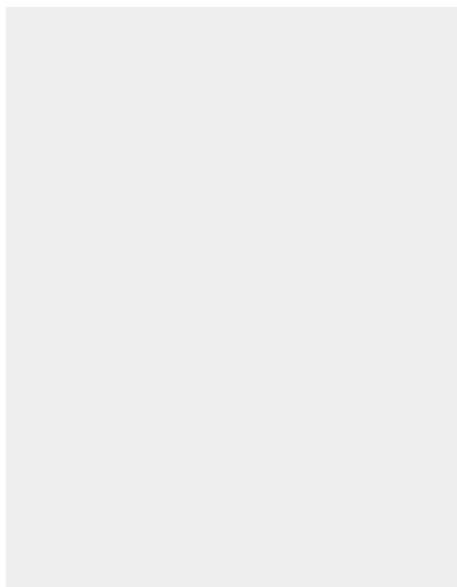


Fiche article : Hollow punch 7/16" or 11.1 mm - Référence :

JLB7/16#

HOLLOW PUNCH 7/16" OR 11.1 MM



6,71 € excl. tax
8,05 € incl. tax



Made in France

SKU: JLB7/16# | **Categories:** [7/16" to 3/4" hollow punches](#) |

DESCRIPTION DU PRODUIT

Made of high resistance steel, Boehm's JLB model hollow punches ensure a precise cut-out of pallets, washers or gaskets in soft materials: paper tape, foam, cardboard, leather, felt, cork, rubber, plastic, fabric, ...etc.

Compatibility

This hollow punch can be locked thanks to a spur system on the following chucks and handles :

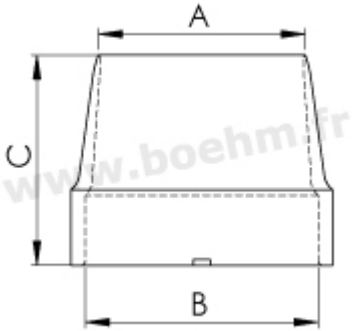
- [JLBM20](#)
- [JLBM30](#)
- [JLBM30PA](#)
- [JLBM50](#)
- [JLBM50PA](#)
- [JLBM60](#)

Fiche article : Hollow punch 7/16" or 11.1 mm - Référence :

JLB7/16#

- [JLBM60PA](#)
- [JLBM100](#)

Other features:



A:7/16" or 11.1 mm B:21 mm

C:27 mm

Fastening method: by locking onto chuck or handle (JLB model)

Twinning possibilities: [see the twinning table](#)

For more information on how to use these tools, please consult our [our tutorials](#)



Made in France

Fiche article : Hollow punch 7/16" or 11.1 mm - Référence :
JLB7/16#

INFORMATIONS COMPLÉMENTAIRES

Weight 0,02 kg

Diameter in mm [11.00 mm](#)

Fiche article : Hollow punch 7/16" or 11.1 mm - Référence :
JLB7/16#