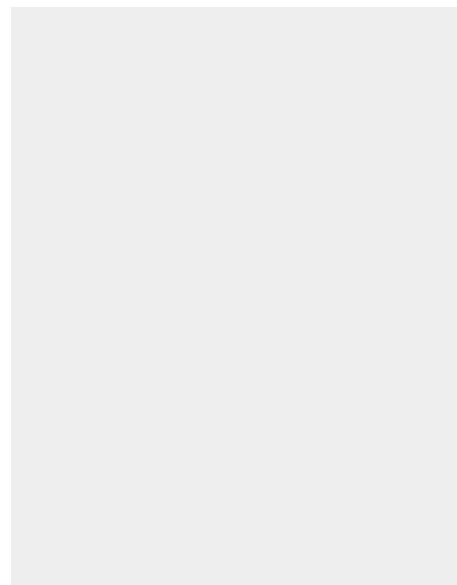
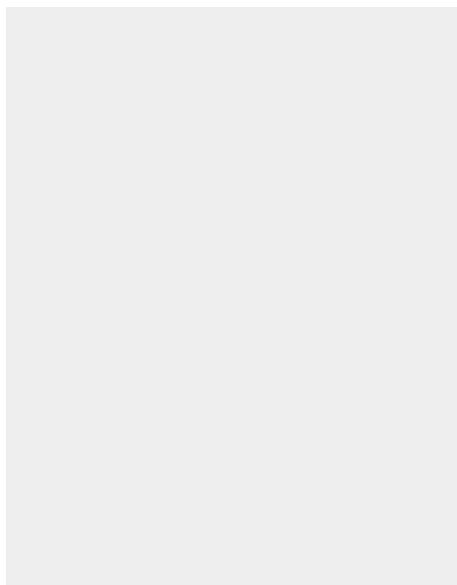


Fiche article : Hollow punch 9/16" or 14.3 mm - Référence :

JLB9/16#

## HOLLOW PUNCH 9/16" OR 14.3 MM



**6,71 € excl. tax**  
**8,05 € incl. tax**



**Made in France**

**SKU:** JLB9/16# | **Categories:** [7/16" to 3/4" hollow punches](#) |

### DESCRIPTION DU PRODUIT

Made of high resistance steel, Boehm's JLB model hollow punches ensure a precise cut-out of pallets, washers or gaskets in soft materials: paper tape, foam, cardboard, leather, felt, cork, rubber, plastic, fabric, ...etc.

### Compatibility

This hollow punch can be locked thanks to a spur system on the following chucks and handles :

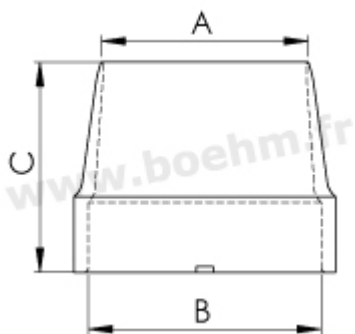
- [JLBM20](#)
- [JLBM30](#)
- [JLBM30PA](#)
- [JLBM50](#)
- [JLBM50PA](#)
- [JLBM60](#)

Fiche article : Hollow punch 9/16" or 14.3 mm - Référence :

JLB9/16#

- [JLBM60PA](#)
- [JLBM100](#)

**Other features:**



A:9/16"or 14.3 mm B:21 mm

C:27 mm

**Fastening method:** by locking onto chuck or handle (JLB model)

**Twinning possibilities:** [see the twinning table](#)

For more information on how to use these tools, please consult our [our tutorials](#)



**Made in France**

Fiche article : Hollow punch 9/16" or 14.3 mm - Référence :  
JLB9/16#

### INFORMATIONS COMPLÉMENTAIRES

**Weight** 0,02 kg

**Diameter in mm** [14.20 mm](#)

Fiche article : Hollow punch 9/16" or 14.3 mm - Référence :  
JLB9/16#